

Embedded Solutions



SD Cards

SDXC/SDHC Class 10

Built with top-quality MLC NAND Flash chips, Transcend's industrial SDXC/SDHC Class 10 memory cards can endure operating temperatures from -25°C to 85°C; and set a new standard for consistent, long-term performance even in the harshest conditions. Moreover, these cards offer high-speed Class 10 data transfer rates and extra large storage space to satisfy the demanding performance and capacity requirements of industrial applications.

Features

- RoHS compliant
- Manufactured with MLC NAND Flash chips for extra endurance and stability
- Class 10 speed rating guarantees fast and reliable write performance
- Compatible with SD Specification Ver. 3.0
- Mechanical write protection switch
- Support Copy Protection for Recorded Media (CPRM) for SD-Audio
- Built-in Error Correcting Code (ECC) to detect and correct transfer errors

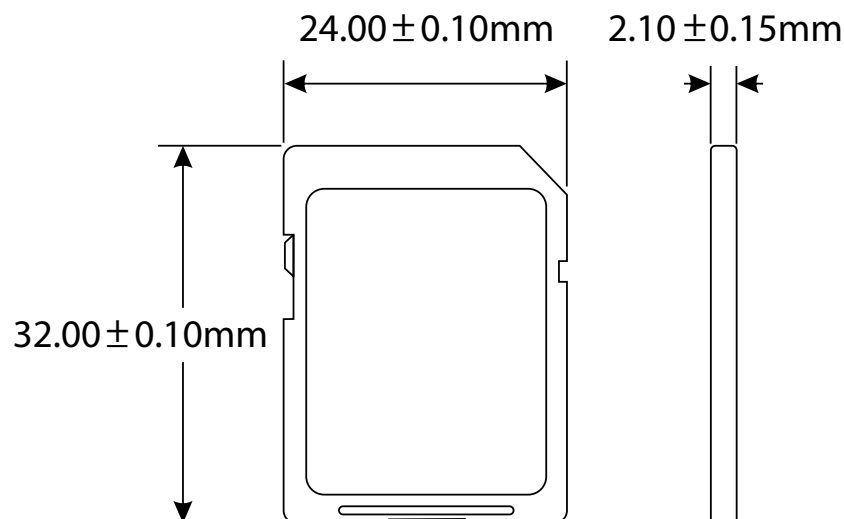
Ordering Information

8GB	TS8GSDHC10M
16GB	TS16GSDHC10M
32GB	TS32GSDHC10M
64GB	TS64GSDXC10M

Specifications

Appearance	Dimensions	24 mm x 32 mm x 2.1 mm (0.94" x 1.26" x 0.08")
	Form Factor	SD flash card
Storage	Flash Type	MLC NAND flash
	Capacity	8 GB/16 GB/32 GB/64 GB
Operating Environment	Operating Voltage	2.7V ~ 3.6V
	Drop Test	1.5m free fall
	Operating Temperature	-25°C (-13°F) ~ 85°C (185°F)
	Storage Temperature	-40°C (-40°F) ~ 85°C (185°F)
	Humidity	0% ~ 95%
	Shock	Acceleration: 490 m/s ² (standard holding time: 11 ms, semi-sine wave, velocity change: 3.44 m/s)
	Vibration (Operating)	20 G (peak-to-peak), 20 Hz ~ 2,000 Hz (frequency)
Power	Power Consumption (Max.)	0.72 watt(s)
Performance	Read Speed (Max.)	20 MB/s
	Write Speed (Max.)	18 MB/s
	Terabytes Written (Max.)	120 TB
Warranty	Certificate	CE/FCC/BSMI
	Warranty	Three-year Limited Warranty
Note	• Speed may vary due to host hardware, software, usage, and storage capacity.	

Mechanical Dimensions



Product specifications are subject to change without notice. Pictures shown may differ from actual products. Total accessible capacity varies depending on operating environment. Due to the complexity and variety of industrial applications, Transcend cannot guarantee 100% compatibility with all platforms and under all scenarios. For special applications and environments, it is strongly suggested that you contact Transcend beforehand for clarification.



Please feel free to contact us with any special requests you might have.
Tel: +886-2-2792-8000 www.transcend-info.com