

Embedded Solutions



microSD Cards

Extended Temp microSDHC520I

Wide Temperature

The ideal choice for small form factor devices with high performance demands in extreme temperatures from -40°C to 85°C, Transcend's Extended Temperature microSDHC520I cards offer high-speed Class 10 data transfer rates, and are specifically designed for industrial applications. To ensure reliability and endurance, these microSD cards are manufactured using high-quality MLC NAND Flash chips and undergo extensive reliability testing at all stages of production at an attractive price.

Features

- Manufactured with high-quality MLC NAND Flash chips for extra endurance and stability
- Class 10 speed rating guarantees fast and reliable write performance
- Compliant with SD File System Specification Ver. 3.01
- Support Copy Protection for Recorded Media (CPRM) for SD-Audio
- Built-in Error Correcting Code (ECC) to detect and correct transfer errors
- RoHS compliant

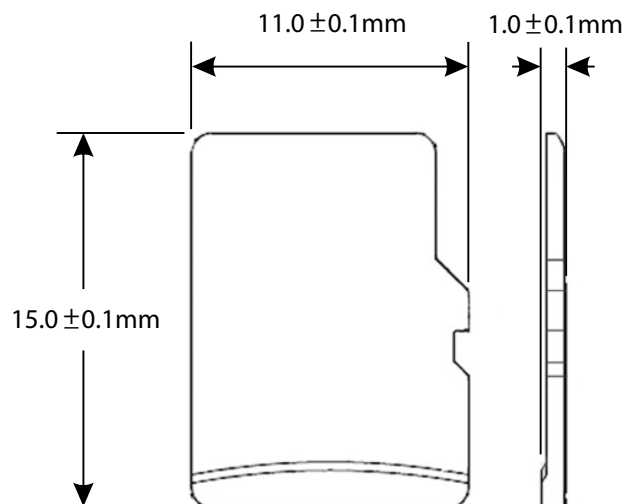
Ordering Information

8GB	TS8GUSD520I
16GB	TS16GUSD520I

Specifications

Appearance	Dimensions (Max.)	11 mm x 15 mm x 1 mm (0.43" x 0.59" x 0.04")
	Form Factor	microSD flash card
Storage	Flash Type	MLC NAND flash
	Capacity	8 GB/16 GB
Operating Environment	Operating Voltage	2.7V ~ 3.6V
	Drop Test	1.5m free fall
	Operating Temperature	-40°C (-40°F) ~ 85°C (185°F)
	Storage Temperature	-40°C (-40°F) ~ 85°C (185°F)
	Humidity	0% ~ 95%
	Shock	Acceleration: 490 m/s ² (standard holding time: 11 ms, semi-sine wave, velocity change: 3.44 m/s)
	Vibration (Operating)	20 G (peak-to-peak), 20 Hz ~ 2,000 Hz (frequency)
Power	Power Consumption (Max.)	0.72 watt(s)
Performance	Read Speed (Max.)	24 MB/s
	Write Speed (Max.)	16 MB/s
	Terabytes Written (Max.)	30 TB
Warranty	Certificate	CE/FCC/BSMI
	Warranty	Three-year Limited Warranty
Note	• Speed may vary due to host hardware, software, usage, and storage capacity.	

Mechanical Dimensions



Product specifications are subject to change without notice. Pictures shown may differ from actual products. Total accessible capacity varies depending on operating environment. Due to the complexity and variety of industrial applications, Transcend cannot guarantee 100% compatibility with all platforms and under all scenarios. For special applications and environments, it is strongly suggested that you contact Transcend beforehand for clarification.



Please feel free to contact us with any special requests you might have.
Tel: +886-2-2792-8000 www.transcend-info.com